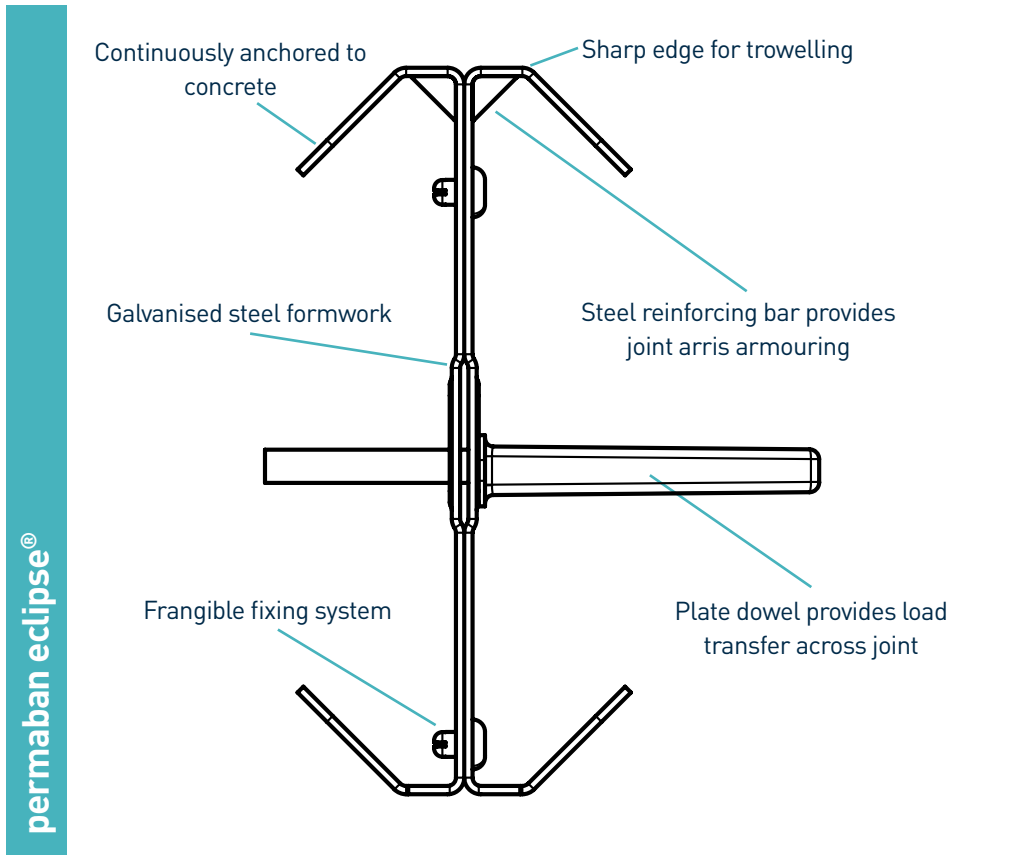
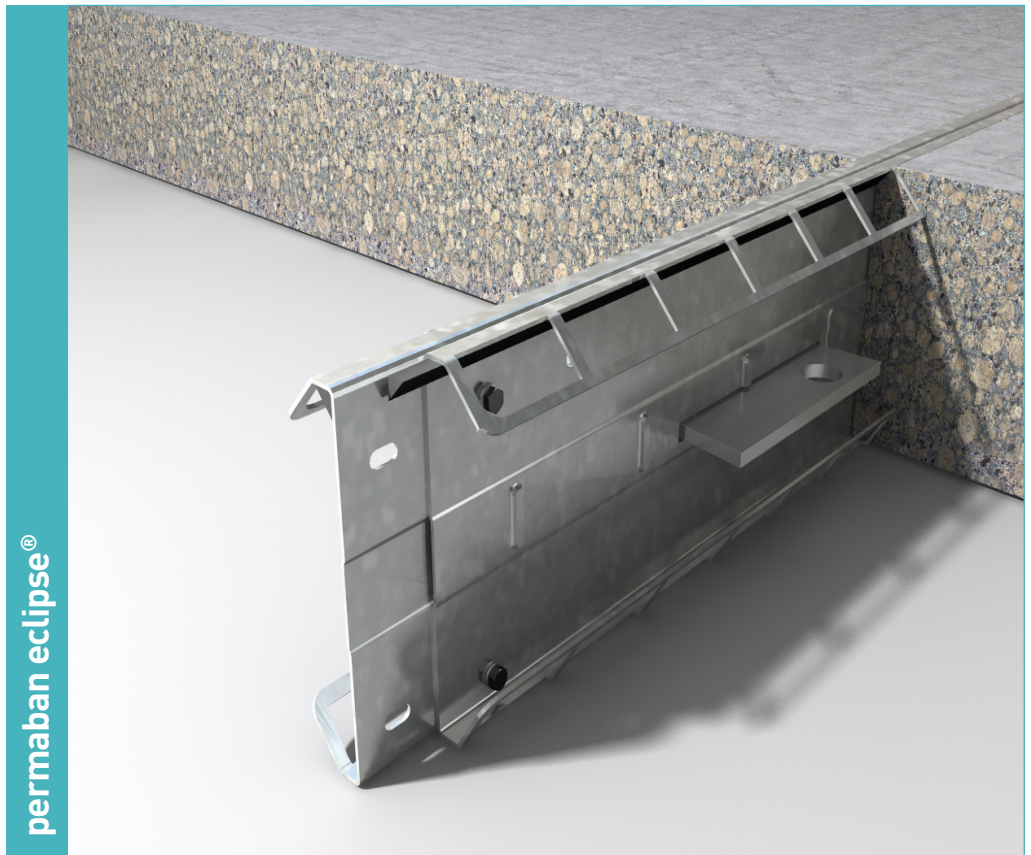


permaban eclipse[®]

Specification Sheet

Issue 3.0

31/03/2014



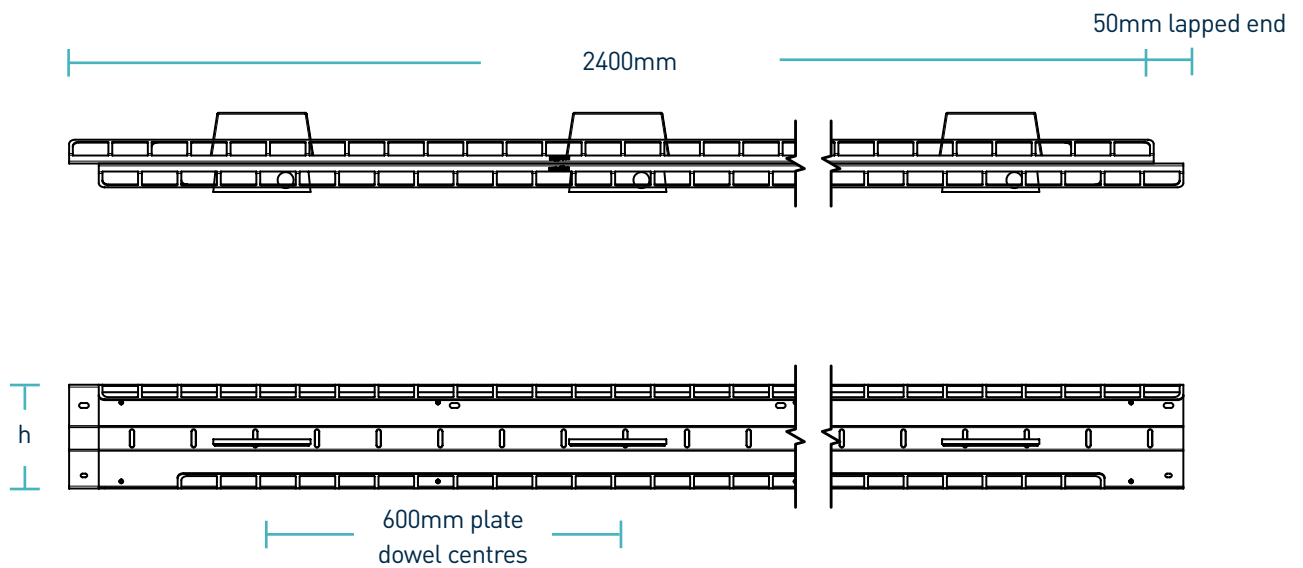
permaban eclipse[®]

Specification Sheet Issue 3.0
31/03/2014

manufacturing tolerances

Length	±2.0mm	Height	±1mm	Straightness	±0.5mm/600mm
---------------	--------	---------------	------	---------------------	--------------

dimensions of permaban eclipse[®]



dimensions and weight of permaban eclipse[®]

Nominal Slab Depth (mm)	Joint Height, h (mm)	Dowel Size (mm)	Dowel Centres (mm)	Length (mm)	Single Joint Weight (kg)	Number Per Bundle	Bundle Weight (kg)
150	130	164 x 120 x 8 Trapeziod	600	2400	18.8	73	1492.4
175	150				20.5	65	1452.5
200	175				22.3	52	1279.6
225	200				23.7	52	1352.4

Typical height and length values shown only. Weight values shown are based on Permaban eclipse[®] including TD8 dowels and are approximate.

materials

Component	Material
Joint arris armouring	BS 4449:2005 B5005
Sheet steel formwork	BS EN 10346:2009 DX51D+Z
Plate dowel	BS EN 10025-2:2004 S275JRG2 min 410 N/mm ²
Plate dowel sleeve	HDPP

permaban eclipse[®]

Specification Sheet Issue 3.0
31/03/2014

theoretical calculated ultimate loads at failure of dowel or concrete

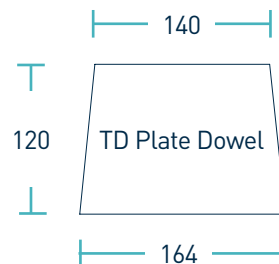
(For typical slabs, 40N/mm² concrete and 20mm joint opening)

Slab Depth (mm)	Dowel Type	Unreinforced Slab		Steel Fibre Reinforced Slab (Re3 = 0.8)	
		Bursting (kN/m)	Bending (kN/m)	Bursting (kN/m)	Bending (kN/m)
150	TD6	50.50	80.83	87.17	80.83
	TD8	50.50	143.50	87.17	143.50
	TD10	50.50	224.34	87.17	224.34
200	TD6	82.00	80.83	141.67	80.83
	TD8	82.00	143.50	141.67	143.50
	TD10	82.00	224.34	141.67	224.34
250	TD6	81.00	80.83	136.50	80.83
	TD8	81.00	143.50	136.50	143.50
	TD10	81.00	224.34	136.50	224.34
300	TD6	87.33	80.83	147.50	80.83
	TD8	87.33	143.50	147.50	143.50
	TD10	87.33	224.34	147.50	224.34
350	TD6	94.00	80.83	160.00	80.83
	TD8	94.00	143.50	160.00	143.50
	TD10	94.00	224.34	160.00	224.34

Ultimate load (kN/m)

This table shows the load at failure in bursting (failure of the concrete) and bending (failure of the dowel) for a joint opening of 20mm - larger joint openings can be accommodated. The ultimate load has been calculated in accordance with TR34 3rd Edition. For more detailed analysis please contact Permaban.

compatible dowel systems



dimensions in mm